

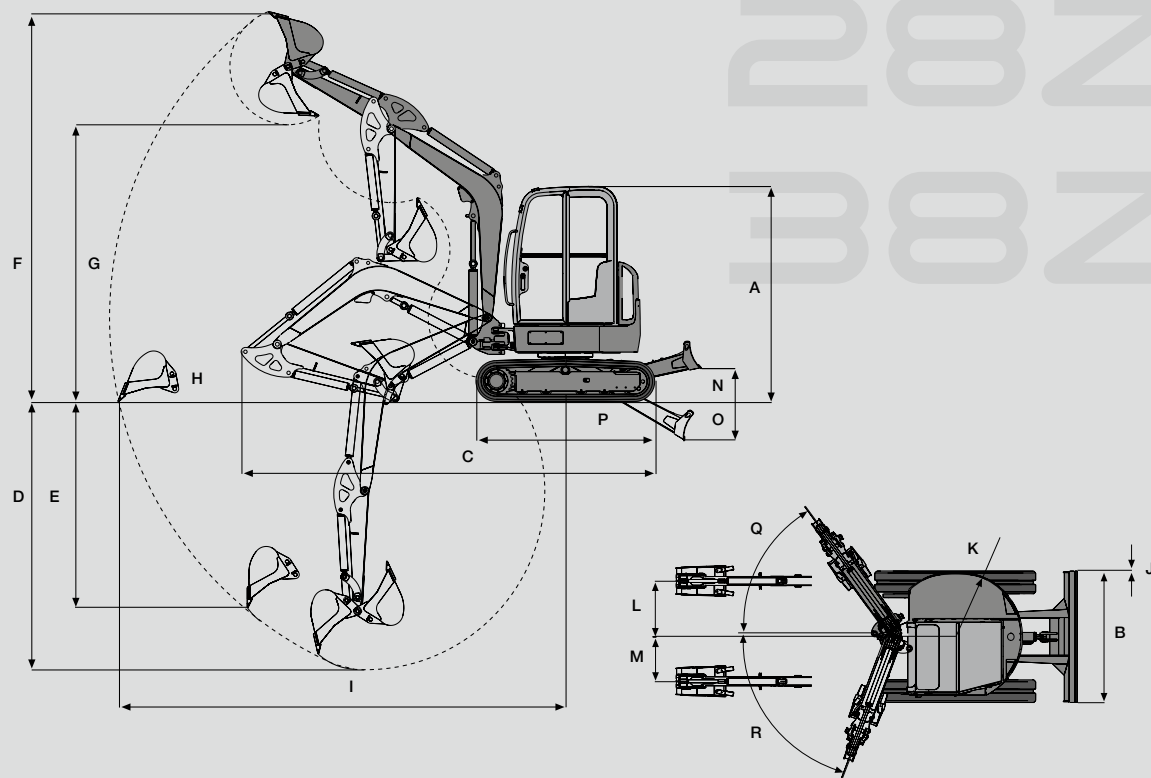
A champion decathlete

The Wacker Neuson Zero Tail Class
28Z3 • 38Z3

NEW
OPTIONAL
WITH VDS



**WACKER
NEUSON**



DIMENSIONS

	28Z3	38Z3
A Height	2408 mm	2500 mm
B Width	1570 mm	1740 mm
C Transport length (arm lowered)	4255 mm	4800 mm
DIGGING DATA (LONG / SHORT DIPPER ARM)		
D Max. digging depth	2544 / 2744 mm	3103 / 3353 mm
E Max. vertical digging depth	1962 / 2152 mm	2430 / 2670 mm
F Max. digging height	4170 / 4300 mm	4530 / 4660 mm
G Max. dumping height	2840 / 2970 mm	3220 / 3350 mm
H Max. digging radius	4613 / 4805 mm	5300 / 5535 mm
I Max. range on the ground	4481 / 4681 mm	5191 / 5431 mm
(GENERAL) DIGGING DATA		
Max. rear protrusion when the superstructure rotates 90°	0 mm	0 mm
K Rear oscillation radius	760 mm	870 mm
L Max. jib shifting in the middle of the excavator bucket on the right side	764 mm	740 mm
M Max. jib shifting in the middle of the excavator bucket on the left side	533 mm	590 mm
N Max. lifting height of dozer blade over planum	380 mm	390 mm
O Max. dozer digging depth	419 mm	450 mm
P Running gear length	2006 mm	2075 mm
Q Max. arm system swivel angle to the right	50 °	55 °
R Max. arm system swivel angle to the left	75 °	70 °

- Ⓐ Projection from the middle of the turntable
- Ⓑ Load sling height above ground level

* Lifting force is restricted hydraulically. All values in the table are given in kg, at horizontal standing on hard ground and without bucket. If a bucket or other work tool is attached, the lifting power or tipping load is reduced by their weight. Basis of calculations: as ISO 10567. The lifting power of the compact excavator is limited by the adjustment of the pressure control valve and by the tipping security. Neither 75 % of the static tipping load nor 87 % of the hydraulic lifting power is exceeded.

0°		with levelling blade support in direction of travel
90°		without levelling blade support 90° to direction of travel

OPERATING DATA**28Z3****38Z3**

Operating weight	2735–3390 kg	3765–4485 kg
Transport weight	2575–3230 kg	3595–4315 kg
Max. breaking force	15.4 kN	21.9 kN
Max. breaking force with extended dipper arm	13.6 kN	19.4 kN
Max. breakaway torque	22.5 kN	28.6 kN

ENGINE

Make/type	Yanmar 3TNV76	Yanmar 3TNV88
Design	water-cooled 3-cylinder diesel engine	water-cooled 3-cylinder diesel engine
Engine power with ISO	15,2 kW (20,7 PS)	21 kW (28.6 PS)
Cylinder capacity	1115 cm ³	1642 cm ³
Rated speed	2500 min ⁻¹	2400 min ⁻¹
Battery	12 V, 44 Ah	12 V, 71 Ah
Diesel tank volumes	35,2 l	44 l

HYDRAULIC SYSTEM

Pump	Double variable and double gear pump	Double variable and double gear pump
Flow capacity	2 x 30.5 + 21.2 + 7.2 l/min	2 x 40 + 26.3 + 11.3 l/min
Working and driving pressure	225 bar	240 bar
Vertical mill working pressure	206 bar	210 bar
Hydraulic oil cooler	Standard	Standard
Hydraulic tank content	26.5 l	38.5 l

UNDERCARRIAGE

2 travelling speeds	2.1 km/h und 3.8 km/h	2.8 km/h und 4.6 km/h
Gradeability	30°/58%	30°/58%
Track width	300 mm	300 mm
Number of rollers on each side	3	4
Ground clearance	277 mm	280 mm
Ground contact pressure	0.27 kg/cm ²	0.34 kg/cm ²
Upper carriage revolutions per minute	10.25 min ⁻¹	8.8 min ⁻¹

DOZER BLADE

Width	1570 mm	1740 mm
Height	290 mm	345 mm
Max. lifting height over planum	380 mm	390 mm
Max. digging depth	419 mm	450 mm

NOISE EMISSION

Noise level (L _{wa}) (In accordance with 2000/14/EG)	93 dB (A)	95 dB (A)
Noise level (L _{wa}) (In accordance with ISO 6394)	–	77 dB (A)

LIFTING POWER TABLE 28Z3**SHORT DIPPER ARM**

B	2,5 m		3,0 m		3,5 m		max.	
	0°	90°	0°	90°	0°	90°	0°	90°
3,0 m	–	–	492*	426	–	–	508*	387
2,0 m	588*	559	525*	414	492*	319	489*	280
1,0 m	872*	495	663*	380	554*	301	494*	249
0,0 m	967*	463	731*	357	581*	287	504*	257
-1,0 m	805*	467	605*	359	–	–	498*	324

LONG DIPPER ARM / COUNTER WEIGHT

B	2,5 m		3,0 m		3,5 m		max.	
	0°	90°	0°	90°	0°	90°	0°	90°
3,0 m	–	–	423*	423*	–	–	458*	377
2,0 m	–	–	473*	473*	450*	367	447*	292
1,0 m	811*	573	625*	437	526*	346	453*	266
0,0 m	960*	531	720*	409	575*	329	465*	276
-1,0 m	852*	529	646*	406	–	–	468*	343

LIFTING POWER TABLE 38Z3**SHORT DIPPER ARM**

B	2,5 m		3,5 m		4,5 m		max.	
	0°	90°	0°	90°	0°	90°	0°	90°
3,0 m	–	–	660*	660*	–	–	–	–
2,0 m	–	–	785*	640	790*	425	–	–
1,0 m	1735*	975	1050*	600	840*	410	825*	395
0,0 m	2025*	925	1210*	570	855*	400	805*	385
-1,0 m	1875*	915	1160*	565	–	–	–	–
-2,0 m	1440*	945	–	–	–	–	–	–

LONG DIPPER ARM / COUNTER WEIGHT

B	2,5 m		3,5 m		4,5 m		max.	
	0°	90°	0°	90°	0°	90°	0°	90°
3,0 m	–	–	–	–	–	–	–	–
2,0 m	–	–	670*	670*	705*	475	–	–
1,0 m	1520*	1095	965*	670	790*	460	755*	405
0,0 m	1975*	1020	1170*	635	845*	445	750*	400
-1,0 m	1920*	1005	1175*	620	–	–	–	–
-2,0 m	1570*	1025	–	–	–	–	–	–

STANDARD EQUIPMENT**28Z3 • 38Z3****GENERAL INFORMATION****Rubber track 300 mm****Dozer blade****Working light mounted to the boom****Tool kit incl. grease gun and operator manual****ENGINE****Water-cooled YANMAR diesel engine****CANOPY**

Adjustable driver seat with imitation leather cover and safety belt, canopy complies with the current ROPS, TOPS and FOPS* regulations

HYDRAULICS**Summation regulated****Hydraulic pilot control via joystick****Valve control according** to ISO, DIN, SAE, PCSA and EURO**Auxiliary hydraulic connections** for two directions of motion, mounted on dipperstick**28Z3** Dual travel speed**38Z3** Auto2 speed transmission, dual travel speed operated automatically, 2nd gear manually locked**Hydraulically dampened** drive pedals**Hydraulic oil cooler****Increased, depressurized return line** for several attachments**28Z3** Park brake turn motor

* FOPS (Level I or II) compliant only when fitted with additional protective guard, available as a factory-installed option or as a retrofit kit.

OPTIONS**28Z3 • 38Z3****CABIN****Safety cabin:** cabin heating, split front window, top swings back, bottom lifts out, windscreen wiper and washing system, 1 cabin door, covered cab interior. The cabin is removable and complies with the current ROPS, TOPS and FOPS* regulations**Canopy with back window****38Z3** Air conditioning system**Radio****HYDRAULICS****3. Control unit circuit (proport.)****Biodegradable oil Panolin****BP Biohyd SE46****Flat faced couplers****Proportional control (aux.hyd)****Addit. piping for grapple****Overload valve for auxiliary hydraulic****Overload system Germany****Overload system France****Prepar. hydraulic QH-system (EASY LOCK)****Pilot circuit Powertilt****PAINTING****Special paint 1 RAL** (for parts in yellow only)**Special paint 1 no RAL** (for parts in yellow only)**Special paint cabin/canopy RAL** (RAL colours only)**MISCELLANEOUS****VDS Vertical Digging System****Cab lighting front****Cab lighting front and rear****38Z3** Electrical refuelling pump**Flashing beacon****Idle speed autom. Operation****Driving signal****Counter weight****28Z3** (+112 kg)**38Z3** (+150 kg)**Long dipperstick****28Z3** (+200 mm)**38Z3** (+250 mm)**Security 24 (2000 h)**

(Warranty extension to 24 months or 2000 operation hours)

Security 36 (3000 h)

(Warranty extension to 36 months or 3000 operation hours)

Drive interlock KAT**PACKS****Mirror pack**

Exterior mirror right and left